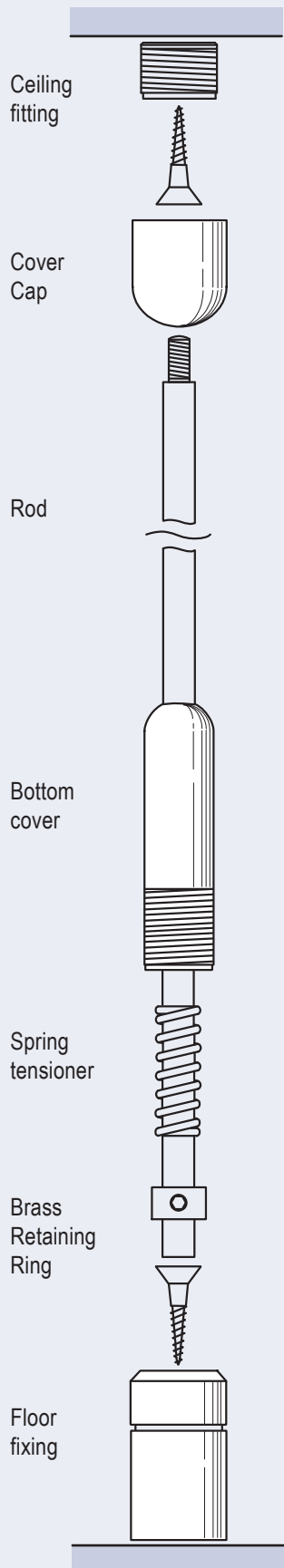


6mm Rod Display Systems - FEATURES & BENEFITS



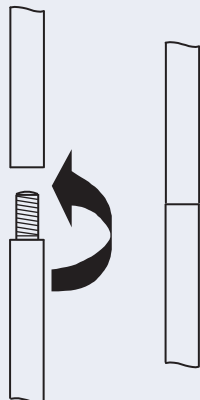
Top Fitting

Top boss fixes to ceiling with a single screw (up to no.10) or toggle bolt ensuring a really secure fit. The top fixing covers up the boss.

Rod - 6mm

Left handed M4 thread screws into top fixing. Once screwed together the rods look like a continuous rod.

A mail thread at one end and a female at the other, allow rods to be joined together to make any length.



Standard Finishes for Rods

Rods are made in stainless steel or brass and treated to create standard finishes:
 Stainless Steel
 Polished Chrome
 Polished Brass
 Black
 Special on request.

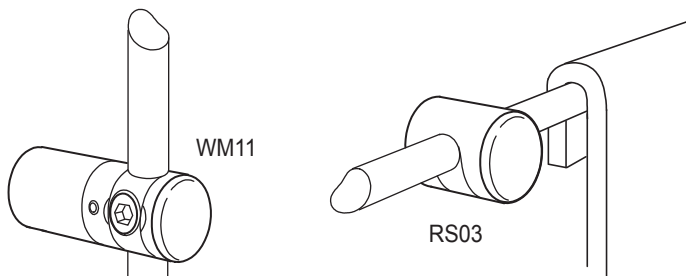
Bottom Fixing

Perfect tension is maintained at all times by a spring tensioner. Rods are easily cut with a hack saw to achieve the overall required length. The decorative line on bottom fitting indicates the cutting position.

Extremely Strong

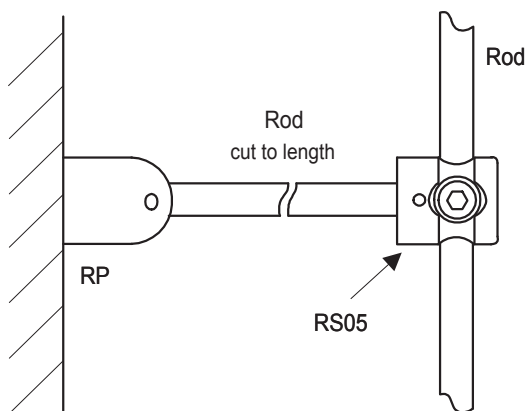
Rods can support up to 200kg (441lbs). The rod system provides greater stability than cables, with dynamic, yet elegant appearance. The standard rod length is 1.5m (4' 11-1/16"). Rods are available 0.5m (1' 7-11/16") in length with one threaded end and one domed end.

Non-threaded rod is available in 0.5m (1' 7-11/16") and 1m (3' 3-1/32") lengths. Idea; for use with signage and horizontal presentations. Use cut lengths of non-threaded rod as a tie-back to a wall to stabilize the rod.



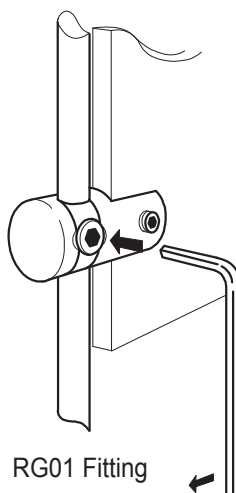
Wall Fixing

Fix rods directly back to the wall with WM11 or RS03. Ideal for creating high impact graphics presentations.



Customized Depth

Fix rods back to the wall using RP - cut rod length and fix with RS05.

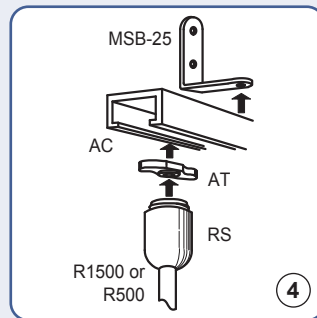
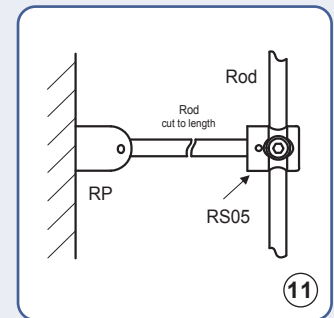
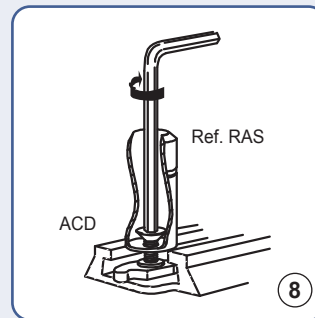
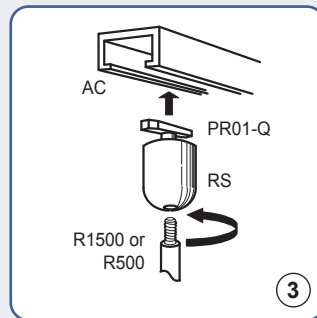
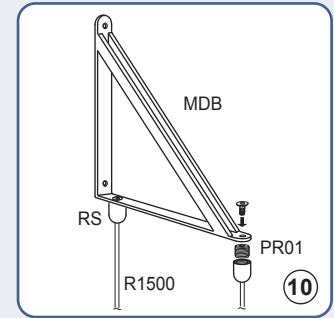
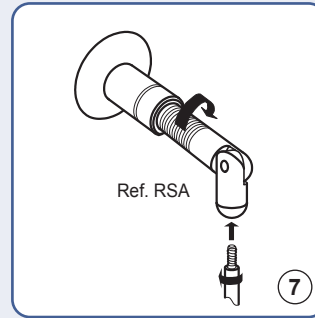
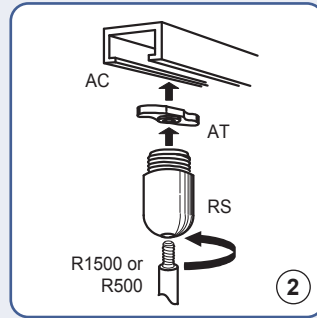
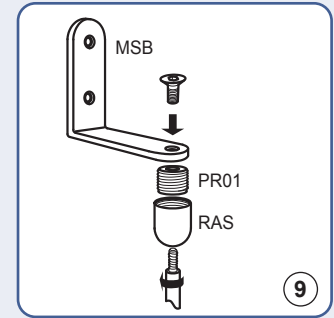
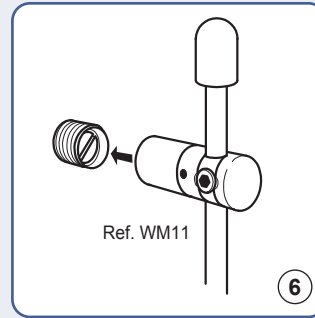
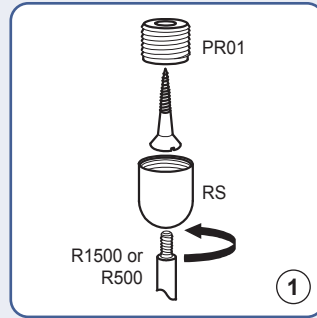
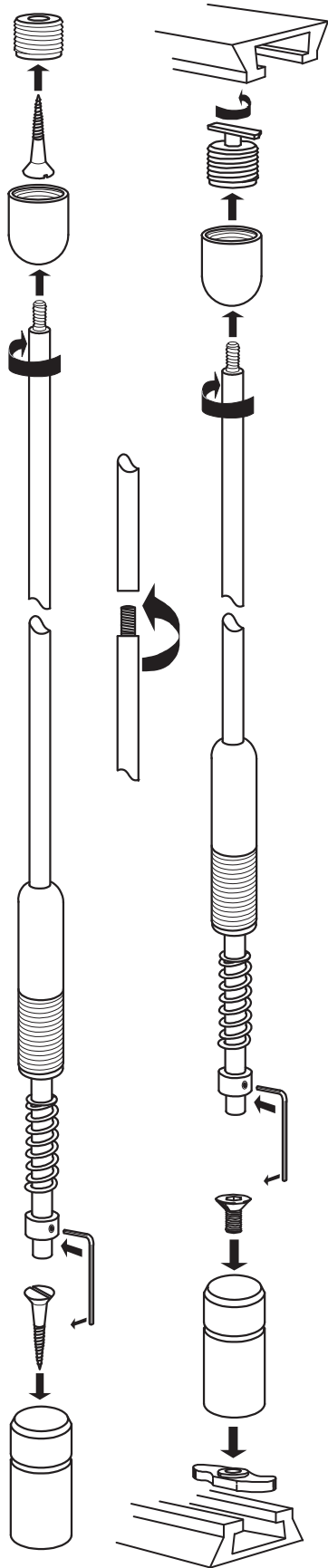


Designed and manufactured to the highest possible standards of quality. 12 month guarantee on all metal components.

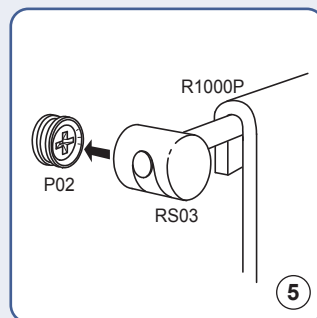
Extensive range of components and accessories ensure complete design flexibility.

Low voltage lighting can be fully integrated onto the 6mm rods.

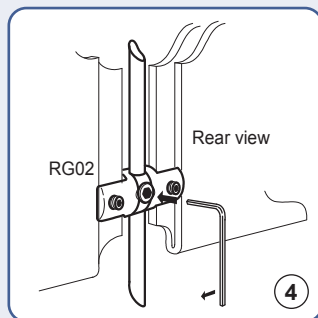
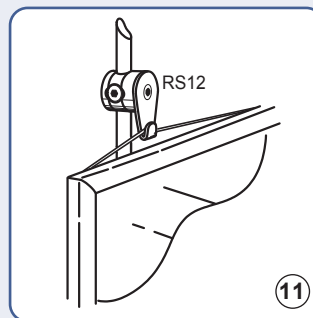
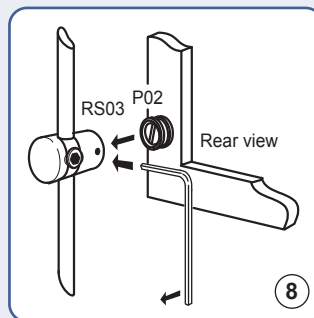
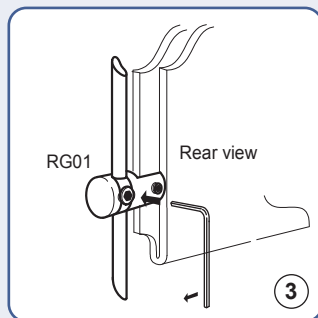
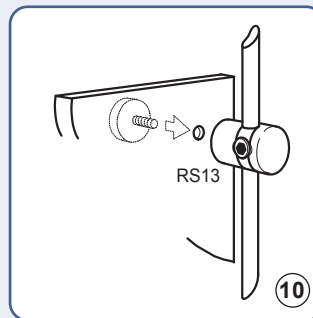
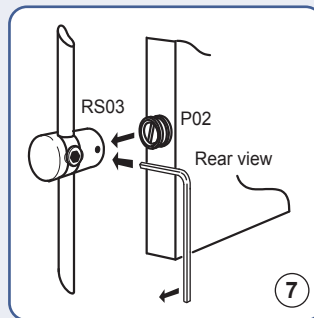
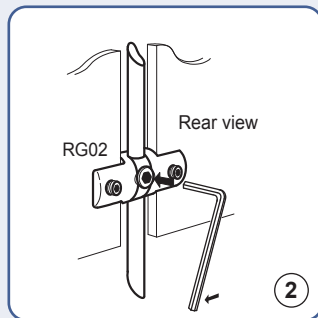
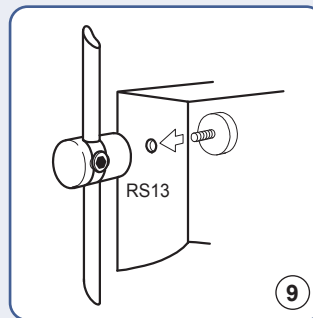
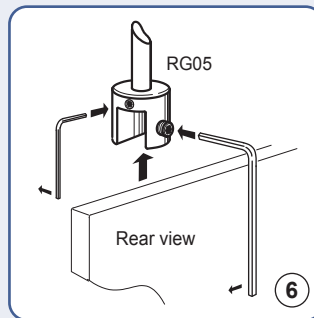
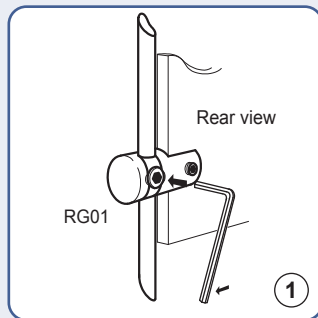
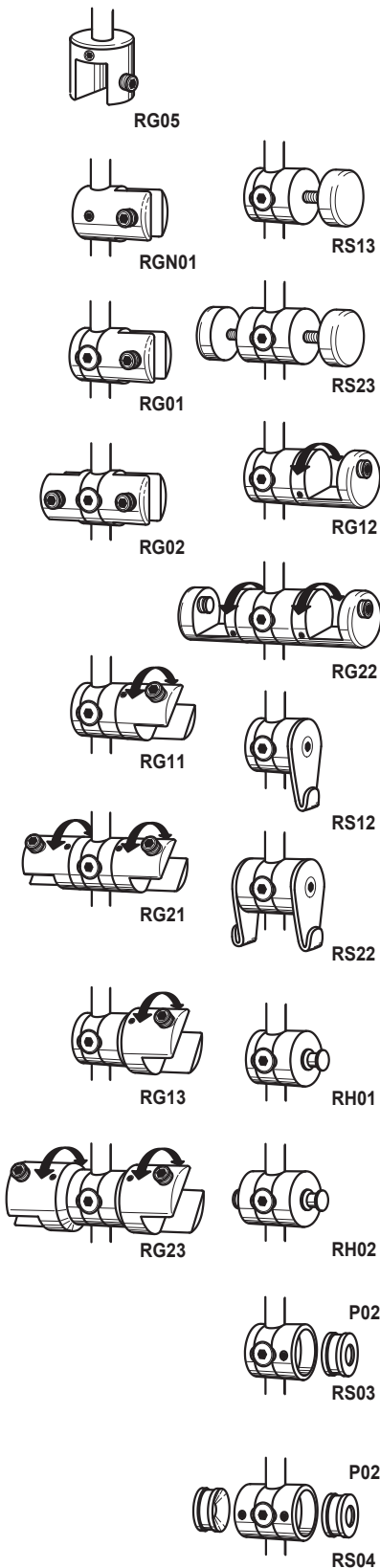
6mm Rod Display Systems - ROD FIXING OPTIONS



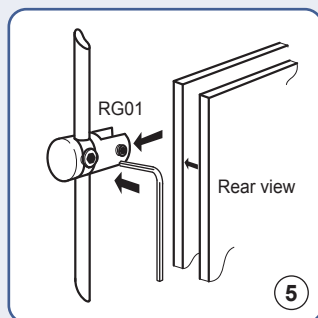
- ① Top Fixing - Single Screw or Bolt
- ② Channel Top/Bottom Fixing - Toggle Fitting
- ③ Channel Top/Bottom Fixing - Quick Fit Toggle
- ④ Channel Wall Fixing - Toggle Fitting
- ⑤ Wall Fixing - RS03 & P02
- ⑥ Wall Fixing - WM11
- ⑦ Angled Top/Bottom Fixing - Single Screw or Bolt
- ⑧ Channel Bottom Fixing - Toggle Fitting
- ⑨ Wall Fixing - (MSB) Single Bracket
- ⑩ Wall Fixing - (MDB) Double Bracket (for shelving)
- ⑪ Wall Fixing - Customized Depth



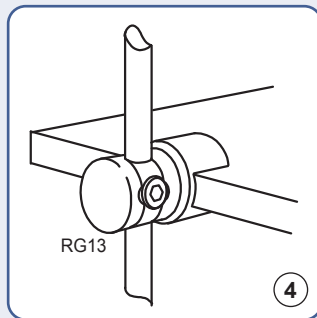
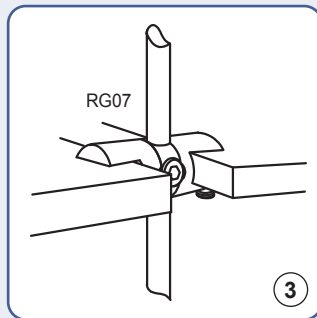
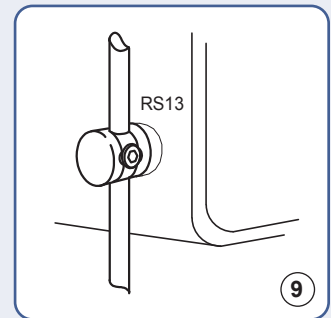
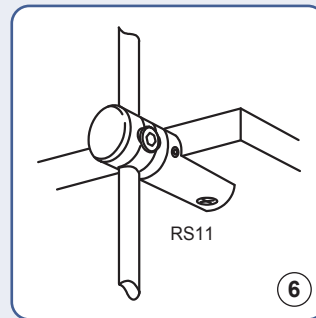
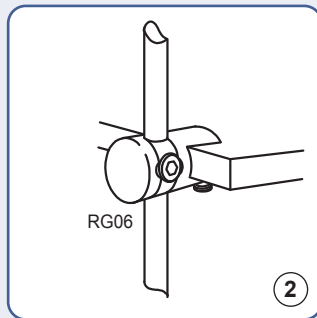
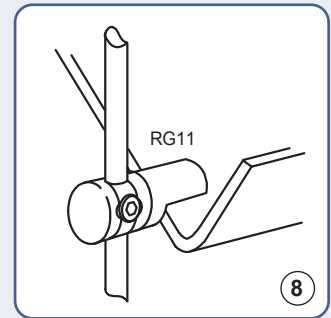
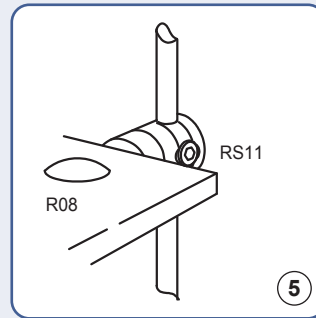
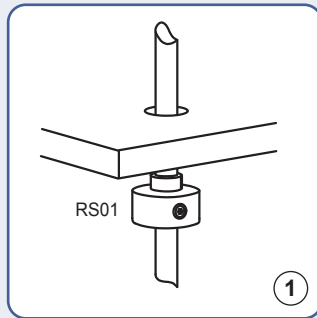
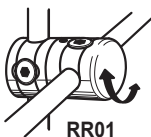
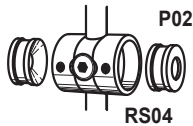
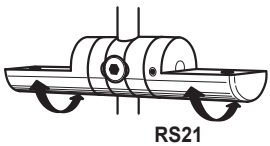
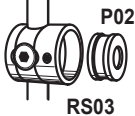
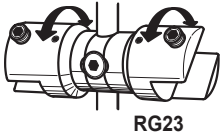
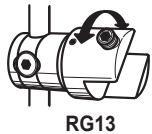
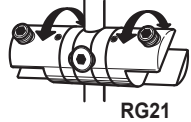
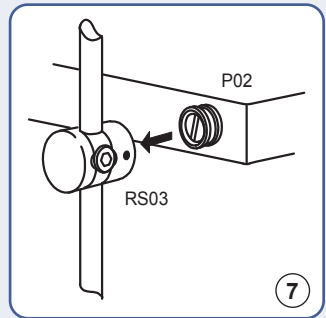
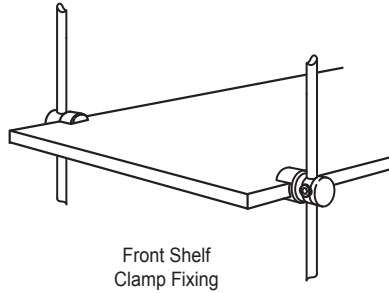
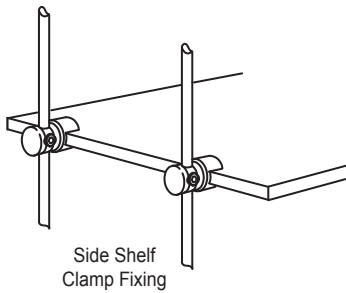
6mm Rod Display Systems - PANEL SUPPORTS



- ① Graphic Panels - Vertical Support Single
- ② Graphic Panels - Vertical Support Double
- ③ Easy Access Acrylic Pockets - Vertical Support Single
- ④ Easy Access Acrylic Pockets - Vertical Support Double
- ⑤ Graphic Panels "Sandwich" - Vertical Support Single
- ⑥ Graphic Panels - Top Clamp Support
- ⑦ Graphic Panels - Single Support w/Screw Mount
- ⑧ Framed Presentations - Single Support w/Screw Mount
- ⑨ Dimensional Presentations - Support for Drilled Panels
- ⑩ Graphic Panels - Support for Drilled Panels
- ⑪ Framed Presentations - Hook Support



6mm Rod Display Systems - SHELF SUPPORTS



- 1 Drilled & Slotted Shelves - Support locates under shelf
- 2 Glass Shelving - Clamp Support Single
- 3 Glass Shelving - Clamp Support Double
- 4 Glass Shelving - Multi-position Clamp Support Single
- 5 Glass Shelving - Single Support w/Bolt Mount
- 6 Wooden Shelves - Support w/Screw Mount Single
- 7 Wooden Shelves - Support w/Screw Mount Single
- 8 Sloping Acrylic Shelf - Multi-position Clamp Support
- 9 Acrylic Case or Cube - Support for Drilled Panels